

PARTS BOOK

DM20E200 FERH



LIST OF PARTS NOT ILLUSTRATED

5280248 GUARD BELT TOP

1108470 V-BELT

5280283 BELT GUARD SIDE

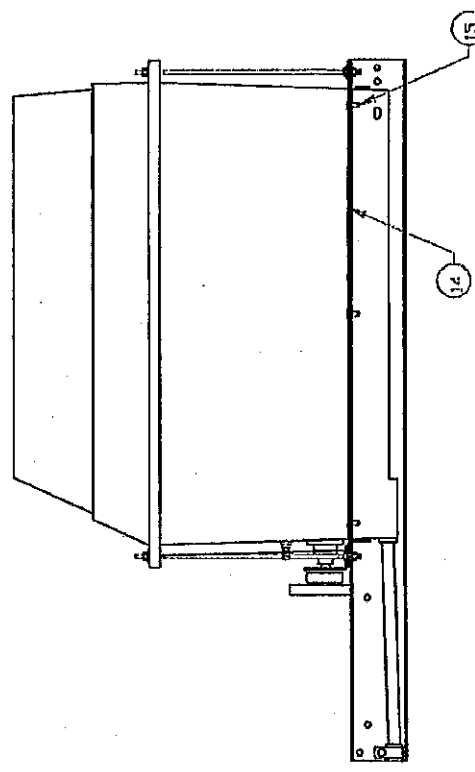
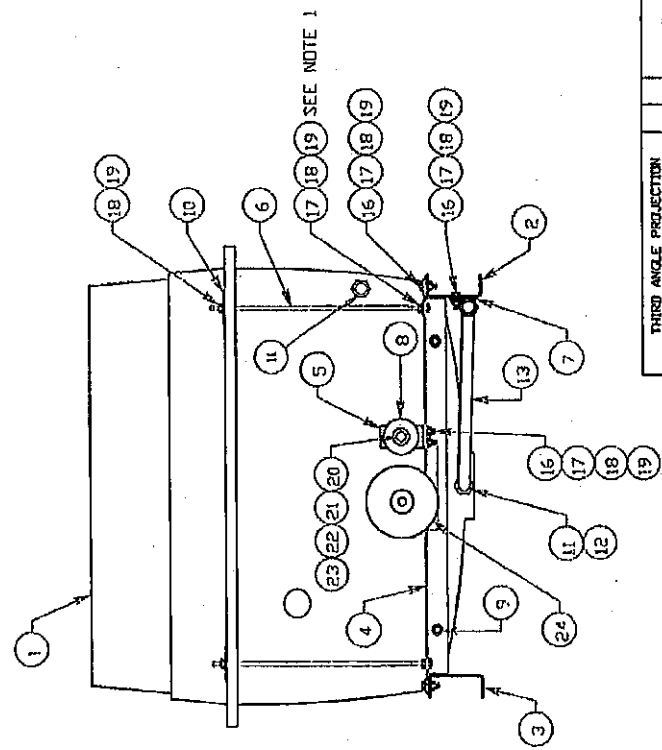
3-4219 STRAINER BASKET

5269100 BATTERY HOLD DOWN

NOTES: 1. ITEM 17 REQUIRED ONLY ON TIE ROD SHOWN. WILL BE USED TO RETAIN BELT GUARD IN NEXT ASSEMBLY. INSTALL ON TOP SIDE OF ITEM 4.

2. USE RED LOKTITE ON THREADS ONLY WHEN INSTALLING ITEM 11 INTO TANK.

QTY	QTY	PART NUMBER	DESCRIPTION	UNIT	INDICATOR - DIMENSIONS
1	D	52649044	TANK ASSY-200F	1	
2	B	52645662	FRAME SIDE LH	1	
3	B	52645663	FRAME SIDE RH	1	
4	B	52645664	TANK RESTRAINT MEMBER	2	
5	A	52645667	BRACKET-TOLER	1	
6	A	52645685	TIE ROD 3/8-16X20	4	
7	B	52645777	TANK BRAIN MOUNT	1	
8	A	12320249	TOLER ASSY	1	
9	A	52645677	BUMPER-RUBBER	4	
10	A	52645666	PLATE-TIE DOWN	4	
11	N	1258107	HOSE BARB 3/4X3/4NPT NYLON	3	
12	N	1415088	HOSE CLAMP	2	
13	A	939526	HOSE 3/4 AG SPRAY	2.25'	
14	A	52645804	RUBBER PAD	2	
15	A	1424905	CLIP-CHRISTMAS TREE	6	
16	N	1100943	HHCS 3/8-16X1-1/4	7	
17	N	1100256	FLAT WASHER 3/8	8	
18	N	1100243	LOCK WASHER 3/8	15	
19	N	1121509	HEX NUT 3/8-16	15	
20	N	6-7349	HHCS 1/2-13X2-1/4	1	
21	N	1100257	FLAT WASHER 1/2	1	
22	N	1100245	LOCK WASHER 1/2	1	
23	N	1121511	HEX NUT 1/2-13	1	
24	A	126092	SHEAVE 1A6A 3/4	1	
25	A	2246679	HOSE ASSEMBLY 1/4 X 1/2 1/8 NPT MALE ENDS	1	

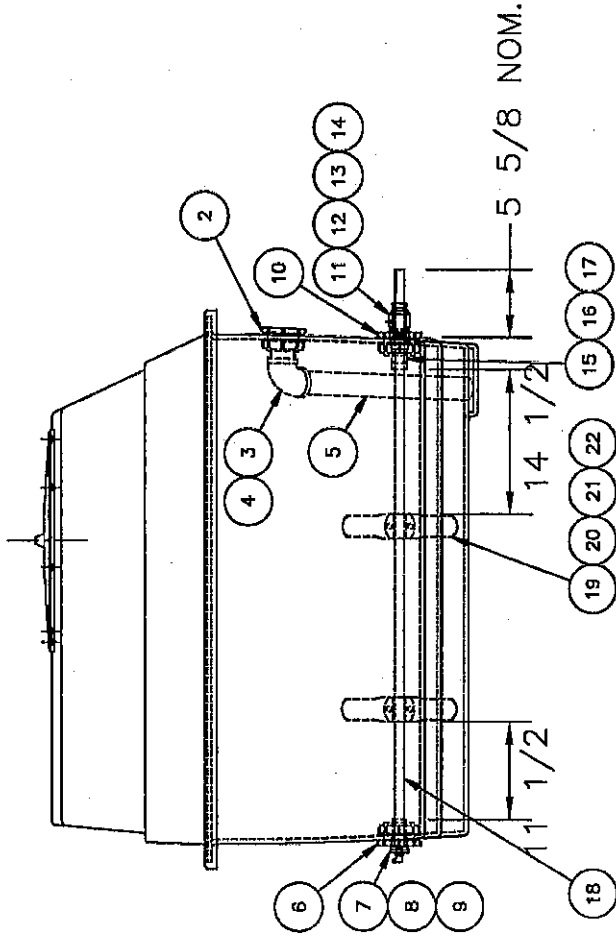


C 5280257

THIRD ANGLE PROJECTION		UNLESS OTHERWISE SPECIFIED DIM BY PRACTICE/STANDARD	
		DIMS 10-5-94 APPS SCALE .05B4" MATERIAL	
TOLERANCES: XXX ± .004 XXX ± .008 ANGLES ± .5° SURFACE TEXTURE - 1 1/32		SURFACE FINISH: XXX ± .004 XXX ± .008 ANGLES ± .5° SURFACE TEXTURE - 1 1/32	
THIS DRAWING AND ALL INFORMATION CONTAINED HEREIN IS THE PROPERTY OF FMC CORPORATION. IT IS TO BE USED ONLY FOR THE PURPOSES AND REPRODUCTIONS SPECIFICALLY AUTHORIZED BY EXPRESS WRITTEN PERMISSION FROM FMC.		FMC CORPORATION Agricultural Machinery Division Hopkinton, Illinois	
DATE	BY	DATE	BY
DRAWN BY: JMO & ZOE/DFERH		TANK & FRAME ASSY-200F	
C 5280257		C 5280257	

ITEM NO.	PART NO.	QTY REQ'D	DESCRIPTION	ITEM NO.	PART NO.	QTY REQ'D	DESCRIPTION	ITEM NO.	PART NO.	QTY REQ'D	DESCRIPTION
1	5264568	1	TANK 200G. FRP	9	1100763	1	1/4 X 67" LUBE FTG C/Z	17	1103469	1	5/16 X 1/2 SQ HD SET SCR SS
2	5272500	1	1 1/2" BULKHEAD FTG	10	5272499	1	1 1/4" BULKHEAD FTG	18	5282631	1	3/4 X 47 1/4 SHAFT SS
3	1105748	1	1 1/2" X 2 NIPPLE GALV	11	33878	1	FRONT BEARING	19	5250083	4	PADDLE BLADE
4	1423258	1	1 1/2" ELL SCH80 PVC	12	33881	8	PACKING RING	20	1-8032	4	3/8 X 1 HHCS SS
5	5264601	1	1 1/2" X 18 PIPE TOE SCH80 PVC	13	33880	1	PACKING GLAND	21	1-8036	4	3/8 LW SS
6	5272498	1	1" BULKHEAD FTG	14	1187184	1	1 1/8-12 JAM NUT	22	1-8037	4	3/8 HEX NUT SS
7	33879	1	REAR BEARING	15	5269404	1	SPACER	23	5264571	1	LID ASY W/BREATHER & RIM
8	3-7796	1	1/4 FW SS MS15795 #811	16	5267003	1	3/4 COLLAR SS	24	1-8129	8	3/16 X 1/2 POP RIVET AL

24 23 SEE NOTE



REF. 1203101 FRONT BEARING ASY

NOTE: USE LID RING AS DRILL TEMPLATE FOR RIVETS WITH LID HANDLE POSITIONED AS SHOWN WHEN CLOSED. SEAL WITH MIN. 1/4 DIA. BEAD OF SILICONE SEALANT (G.E. AE251) BETWEEN RING AND TANK.

MAKE : 1

DUNNAND-WAYLAND, INC.
LAGRANGE, GEORGIA, 30240

TANK ASSEMBLY 200G. FRP

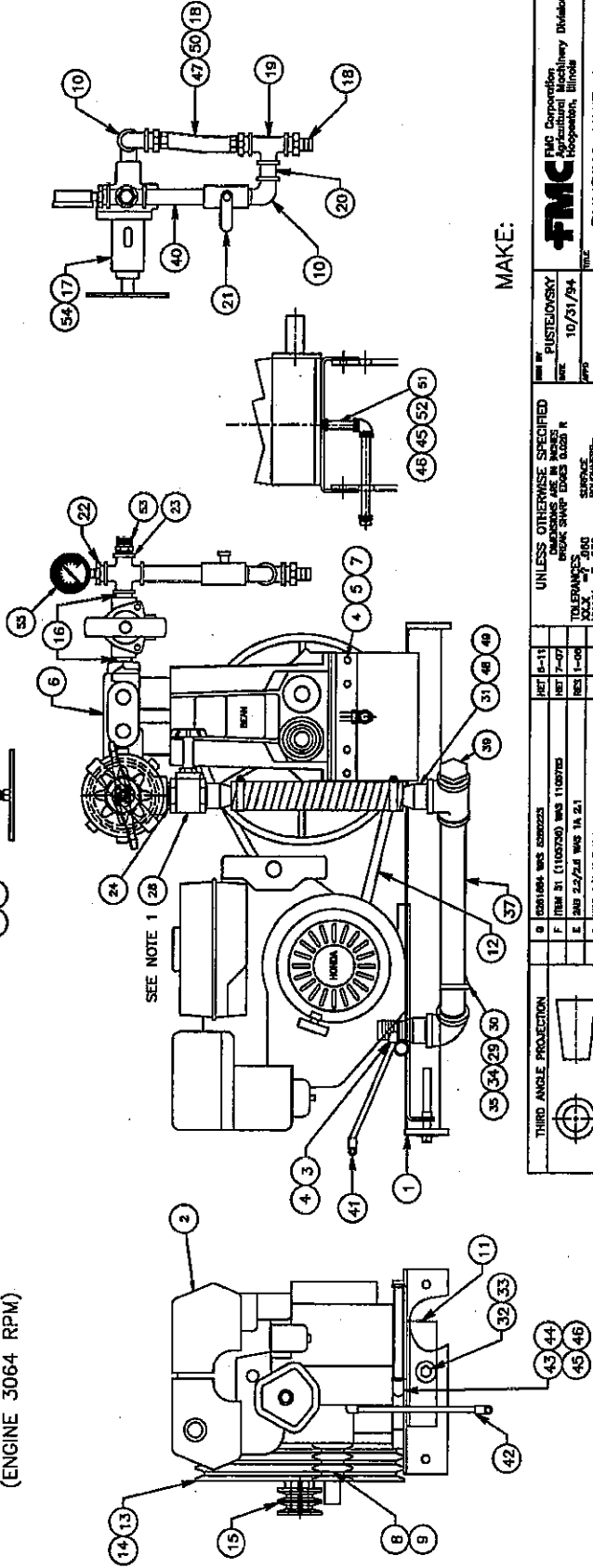
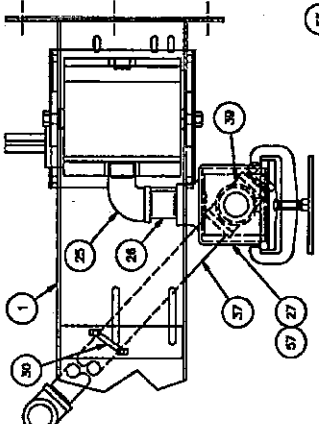
A	RELEASED	7-05	RES
REV.	DESCRIPTION	DATE	BY

DRAWN : RES	DATE : 7/20/05
CHECKED :	SCALE : 1/16" = 1"
5269044	

ITEM NO.	ITEM NUMBER	DESCRIPTION	QTY	UNIT	DESCRIPTION	ITEM NUMBER	QTY	UNIT	DESCRIPTION	ITEM NUMBER	QTY	UNIT	DESCRIPTION
39	1-1489	PLUG 1 1/4 GALV	1		1 1/4" STAR STN ASY	27	1283493			1	5280243		1 BASE WLDT-PUMPING UNIT DM20E
40	1105868	NIPPLE 3/4 X 5 GALV	28	1187137	1 VALVE 1-1/4 GATE BRZ NRS	2	5281694			1	ENGINE-HONDA GX390 ELEC/REG 13 HP		
41	15282462	BATTERY CABLE ASY 8 GA. BLK.	28	0-0171	2 FLAT WASHER 5/16 SAE C/Z	3	3-1433			4	HHCS 3/8-16 X 1-3/4		
42	5282434	BATTERY CABLE ASY 8 GA. RED	50	1224121	1 U-BOLT 5/16-18 X 2	4	0-0020			8	LOCK WASHER 3/8		
43	5280242	FITTING-ADAPTOR M12X1.5 X 1/4 FP	31	1220991	1 HOSE BARB 1-1/4 PLT	5	0-0282			4	HEX NUT 3/8-16		
44	1-1399	ST ELL 1/4 X 90? BLK	32	113615	1 SCREW-HHC 1/2-13X4 FULL THD	6	5284464			1	PUMP ASY R20		
45	4802780	NIPPLE 1/4 X 6 BLK	33	0-0158	1 FLAT WASHER 1/2	7	0-0136			4	HHCS 3/8-16 X 1		
46	4802572	CAP 1/4 PIPE BLK	34	0-0040	2 LOCK WASHER 5/16 MED	8	5281811			1	SHEAVE 3V2.65 3 GROOVE 1" BORE		
47	3-2880 .75	HOSE 3/4 AG SPRAY 800PSI PVC GREEN	35	0-0054	2 HEX NUT 5/16-18 C/Z	9	1-8162			3	ST ELL 3/4 GALV		
48	3-4251 1.00	HOSE 1-1/4 SUCTION PVC	37	5283951	1 CROSSOVER PIPE ASY	11	5280243			1	TENSIONER WELD-T-DM20E		
49	1-5718	HOSE CLAMP #20				12	11-8562			1	POWERBAND 3/32X560		
50	1-4016	HOSE CLAMP #16				13	1276823			1	SHEAVE 3V14.0 3 GROOVE		
51	1105736	NIPPLE 1/4 X 2 BLK STD				14	1187474			1	KEY 1/4 SQ X 2-1/4		
52	1-1379	ELL 1/4 X 90 BLK STD				15	1249651			1	SHEAVE 2B 2.2/2.6 1-1/8 BORE		
53	34462	1 3/4MPT X 3/4MPT ADAPTER BR				16	1106071			2	NIPPLE 3/4 CLOSE GALV SCH 80		
54	1-1472	PLUG 3/4 GALV				17	1207620			1	RELIEF VALVE 3/4 NPT 40GPM/50-800PSI		
55	1224837	PRESSURE GAUGE 1000PSI				18	1258107			3	HOSE BARB 3/4 MPT X 3/4 HOSE NYLON		
56	5280283	BELT GUARD (NOT SHOWN)				19	1-8913			1	TEE 3/4 GALV		
57	1202961	SCREEN 16 MESH				20	1105745			1	NIPPLE 3/4 X 2 GALV		
						21	5280621			1	BALL VALVE 3/4		
						22	1-1493			1	BUSHING 3/4 X 1/4 HEX GALV		
						23	3-1850			1	CROSS 3/4 GALV		
						24	1-5883			1	NIPPLE 1-1/4 CLOSE GALV		
						25	1-0804			1	ST ELL 1-1/4 GALV		
						26	1105783			1	NIPPLE 1-1/4 X 3 GALV		

NOTES: 1. INSTALL ITEM 28 WITH HANDLE ORIENTED AS SHOWN.

PUMP 580 RPM, 500 PSI
(ENGINE 3064 RPM)



MAKE:

THIRD ANGLE PROJECTION		UNLESS OTHERWISE SPECIFIED DIMENSIONS ARE IN INCHES BREAK SHARP EDGES 0.020 R	
ITEM 5-11	ITEM 7-07	ITEM 1-06	ITEM 2-04
ITEM 3-01	ITEM 4-01	ITEM 5-01	ITEM 6-01
ITEM 7-01	ITEM 8-01	ITEM 9-01	ITEM 10-01
ITEM 11-01	ITEM 12-01	ITEM 13-01	ITEM 14-01
ITEM 15-01	ITEM 16-01	ITEM 17-01	ITEM 18-01
ITEM 19-01	ITEM 20-01	ITEM 21-01	ITEM 22-01
ITEM 23-01	ITEM 24-01	ITEM 25-01	ITEM 26-01
ITEM 27-01	ITEM 28-01	ITEM 29-01	ITEM 30-01
ITEM 31-01	ITEM 32-01	ITEM 33-01	ITEM 34-01
ITEM 35-01	ITEM 36-01	ITEM 37-01	ITEM 38-01
ITEM 39-01	ITEM 40-01	ITEM 41-01	ITEM 42-01
ITEM 43-01	ITEM 44-01	ITEM 45-01	ITEM 46-01
ITEM 47-01	ITEM 48-01	ITEM 49-01	ITEM 50-01
ITEM 51-01	ITEM 52-01	ITEM 53-01	ITEM 54-01
ITEM 55-01	ITEM 56-01	ITEM 57-01	ITEM 58-01
ITEM 59-01	ITEM 60-01	ITEM 61-01	ITEM 62-01
ITEM 63-01	ITEM 64-01	ITEM 65-01	ITEM 66-01
ITEM 67-01	ITEM 68-01	ITEM 69-01	ITEM 70-01
ITEM 71-01	ITEM 72-01	ITEM 73-01	ITEM 74-01
ITEM 75-01	ITEM 76-01	ITEM 77-01	ITEM 78-01
ITEM 79-01	ITEM 80-01	ITEM 81-01	ITEM 82-01
ITEM 83-01	ITEM 84-01	ITEM 85-01	ITEM 86-01
ITEM 87-01	ITEM 88-01	ITEM 89-01	ITEM 90-01
ITEM 91-01	ITEM 92-01	ITEM 93-01	ITEM 94-01
ITEM 95-01	ITEM 96-01	ITEM 97-01	ITEM 98-01
ITEM 99-01	ITEM 100-01	ITEM 101-01	ITEM 102-01
ITEM 103-01	ITEM 104-01	ITEM 105-01	ITEM 106-01
ITEM 107-01	ITEM 108-01	ITEM 109-01	ITEM 110-01
ITEM 111-01	ITEM 112-01	ITEM 113-01	ITEM 114-01
ITEM 115-01	ITEM 116-01	ITEM 117-01	ITEM 118-01
ITEM 119-01	ITEM 120-01	ITEM 121-01	ITEM 122-01
ITEM 123-01	ITEM 124-01	ITEM 125-01	ITEM 126-01
ITEM 127-01	ITEM 128-01	ITEM 129-01	ITEM 130-01
ITEM 131-01	ITEM 132-01	ITEM 133-01	ITEM 134-01
ITEM 135-01	ITEM 136-01	ITEM 137-01	ITEM 138-01
ITEM 139-01	ITEM 140-01	ITEM 141-01	ITEM 142-01
ITEM 143-01	ITEM 144-01	ITEM 145-01	ITEM 146-01
ITEM 147-01	ITEM 148-01	ITEM 149-01	ITEM 150-01
ITEM 151-01	ITEM 152-01	ITEM 153-01	ITEM 154-01
ITEM 155-01	ITEM 156-01	ITEM 157-01	ITEM 158-01
ITEM 159-01	ITEM 160-01	ITEM 161-01	ITEM 162-01
ITEM 163-01	ITEM 164-01	ITEM 165-01	ITEM 166-01
ITEM 167-01	ITEM 168-01	ITEM 169-01	ITEM 170-01
ITEM 171-01	ITEM 172-01	ITEM 173-01	ITEM 174-01
ITEM 175-01	ITEM 176-01	ITEM 177-01	ITEM 178-01
ITEM 179-01	ITEM 180-01	ITEM 181-01	ITEM 182-01
ITEM 183-01	ITEM 184-01	ITEM 185-01	ITEM 186-01
ITEM 187-01	ITEM 188-01	ITEM 189-01	ITEM 190-01
ITEM 191-01	ITEM 192-01	ITEM 193-01	ITEM 194-01
ITEM 195-01	ITEM 196-01	ITEM 197-01	ITEM 198-01
ITEM 199-01	ITEM 200-01	ITEM 201-01	ITEM 202-01
ITEM 203-01	ITEM 204-01	ITEM 205-01	ITEM 206-01
ITEM 207-01	ITEM 208-01	ITEM 209-01	ITEM 210-01
ITEM 211-01	ITEM 212-01	ITEM 213-01	ITEM 214-01
ITEM 215-01	ITEM 216-01	ITEM 217-01	ITEM 218-01
ITEM 219-01	ITEM 220-01	ITEM 221-01	ITEM 222-01
ITEM 223-01	ITEM 224-01	ITEM 225-01	ITEM 226-01
ITEM 227-01	ITEM 228-01	ITEM 229-01	ITEM 230-01
ITEM 231-01	ITEM 232-01	ITEM 233-01	ITEM 234-01
ITEM 235-01	ITEM 236-01	ITEM 237-01	ITEM 238-01
ITEM 239-01	ITEM 240-01	ITEM 241-01	ITEM 242-01
ITEM 243-01	ITEM 244-01	ITEM 245-01	ITEM 246-01
ITEM 247-01	ITEM 248-01	ITEM 249-01	ITEM 250-01
ITEM 251-01	ITEM 252-01	ITEM 253-01	ITEM 254-01
ITEM 255-01	ITEM 256-01	ITEM 257-01	ITEM 258-01
ITEM 259-01	ITEM 260-01	ITEM 261-01	ITEM 262-01
ITEM 263-01	ITEM 264-01	ITEM 265-01	ITEM 266-01
ITEM 267-01	ITEM 268-01	ITEM 269-01	ITEM 270-01
ITEM 271-01	ITEM 272-01	ITEM 273-01	ITEM 274-01
ITEM 275-01	ITEM 276-01	ITEM 277-01	ITEM 278-01
ITEM 279-01	ITEM 280-01	ITEM 281-01	ITEM 282-01
ITEM 283-01	ITEM 284-01	ITEM 285-01	ITEM 286-01
ITEM 287-01	ITEM 288-01	ITEM 289-01	ITEM 290-01
ITEM 291-01	ITEM 292-01	ITEM 293-01	ITEM 294-01
ITEM 295-01	ITEM 296-01	ITEM 297-01	ITEM 298-01
ITEM 299-01	ITEM 300-01	ITEM 301-01	ITEM 302-01
ITEM 303-01	ITEM 304-01	ITEM 305-01	ITEM 306-01
ITEM 307-01	ITEM 308-01	ITEM 309-01	ITEM 310-01
ITEM 311-01	ITEM 312-01	ITEM 313-01	ITEM 314-01
ITEM 315-01	ITEM 316-01	ITEM 317-01	ITEM 318-01
ITEM 319-01	ITEM 320-01	ITEM 321-01	ITEM 322-01
ITEM 323-01	ITEM 324-01	ITEM 325-01	ITEM 326-01
ITEM 327-01	ITEM 328-01	ITEM 329-01	ITEM 330-01
ITEM 331-01	ITEM 332-01	ITEM 333-01	ITEM 334-01
ITEM 335-01	ITEM 336-01	ITEM 337-01	ITEM 338-01
ITEM 339-01	ITEM 340-01	ITEM 341-01	ITEM 342-01
ITEM 343-01	ITEM 344-01	ITEM 345-01	ITEM 346-01
ITEM 347-01	ITEM 348-01	ITEM 349-01	ITEM 350-01
ITEM 351-01	ITEM 352-01	ITEM 353-01	ITEM 354-01
ITEM 355-01	ITEM 356-01	ITEM 357-01	ITEM 358-01
ITEM 359-01	ITEM 360-01	ITEM 361-01	ITEM 362-01
ITEM 363-01	ITEM 364-01	ITEM 365-01	ITEM 366-01
ITEM 367-01	ITEM 368-01	ITEM 369-01	ITEM 370-01
ITEM 371-01	ITEM 372-01	ITEM 373-01	ITEM 374-01
ITEM 375-01	ITEM 376-01	ITEM 377-01	ITEM 378-01
ITEM 379-01	ITEM 380-01	ITEM 381-01	ITEM 382-01
ITEM 383-01	ITEM 384-01	ITEM 385-01	ITEM 386-01
ITEM 387-01	ITEM 388-01	ITEM 389-01	ITEM 390-01
ITEM 391-01	ITEM 392-01	ITEM 393-01	ITEM 394-01
ITEM 395-01	ITEM 396-01	ITEM 397-01	ITEM 398-01
ITEM 399-01	ITEM 400-01	ITEM 401-01	ITEM 402-01
ITEM 403-01	ITEM 404-01	ITEM 405-01	ITEM 406-01
ITEM 407-01	ITEM 408-01	ITEM 409-01	ITEM 410-01
ITEM 411-01	ITEM 412-01	ITEM 413-01	ITEM 414-01
ITEM 415-01	ITEM 416-01	ITEM 417-01	ITEM 418-01
ITEM 419-01	ITEM 420-01	ITEM 421-01	ITEM 422-01
ITEM 423-01	ITEM 424-01	ITEM 425-01	ITEM 426-01
ITEM 427-01	ITEM 428-01	ITEM 429-01	ITEM 430-01
ITEM 431-01	ITEM 432-01	ITEM 433-01	ITEM 434-01
ITEM 435-01	ITEM 436-01	ITEM 437-01	ITEM 438-01
ITEM 439-01	ITEM 440-01	ITEM 441-01	ITEM 442-01
ITEM 443-01	ITEM 444-01	ITEM 445-01	ITEM 446-01
ITEM 447-01	ITEM 448-01	ITEM 449-01	ITEM 450-01
ITEM 451-01	ITEM 452-01	ITEM 453-01	ITEM 454-01
ITEM 455-01	ITEM 456-01	ITEM 457-01	ITEM 458-01
ITEM 459-01	ITEM 460-01	ITEM 461-01	ITEM 462-01
ITEM 463-01	ITEM 464-01	ITEM 465-01	ITEM 466-01
ITEM 467-01	ITEM 468-01	ITEM 469-01	ITEM 470-01
ITEM 471-01	ITEM 472-01	ITEM 473-01	ITEM 474-01
ITEM 475-01	ITEM 476-01	ITEM 477-01	ITEM 478-01
ITEM 479-01	ITEM 480-01	ITEM 481-01	ITEM 482-01
ITEM 483-01	ITEM 484-01	ITEM 485-01	ITEM 486-01
ITEM 487-01	ITEM 488-01	ITEM 489-01	ITEM 490-01
ITEM 491-01	ITEM 492-01	ITEM 493-01	ITEM 494-01
ITEM 495-01	ITEM 496-01	ITEM 497-01	ITEM 498-01
ITEM 499-01	ITEM 500-01	ITEM 501-01	ITEM 502-01
ITEM 503-01	ITEM 504-01	ITEM 505-01	ITEM 506-01
ITEM 507-01	ITEM 508-01	ITEM 509-01	ITEM 510-01
ITEM 511-01	ITEM 512-01	ITEM 513-01	ITEM 514-01
ITEM 515-01	ITEM 516-01	ITEM 517-01	ITEM 518-01
ITEM 519-01	ITEM 520-01	ITEM 521-01	ITEM 522-01
ITEM 523-01	ITEM 524-01	ITEM 525-01	ITEM 526-01
ITEM 527-01	ITEM 528-01	ITEM 529-01	ITEM 530-01
ITEM 531-01	ITEM 532-01	ITEM 533-01	ITEM 534-01
ITEM 535-01	ITEM 536-01	ITEM 537-01	ITEM 538-01
ITEM 539-01	ITEM 540-01	ITEM 541-01	ITEM 542-01
ITEM 543-01	ITEM 544-01	ITEM 545-01	ITEM 546-01
ITEM 547-01	ITEM 548-01	ITEM 549-01	ITEM 550-



John Bean Sprayers
P.O. BOX 1404, LAGRANGE, GA 30241-1404
sales@johnbeansprayers.com

800-241-2308
706-882-8161
www.johnbeansprayers.com