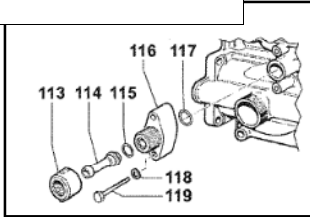




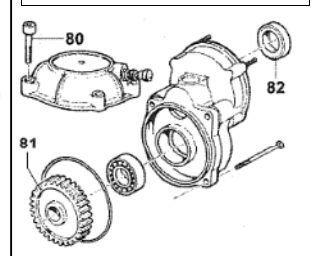
MC20 / MC25

MC20 / MC25

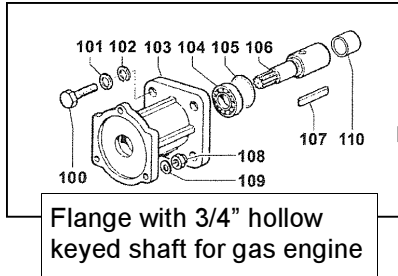
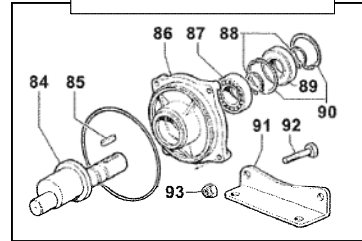
Optional parts for remote regulator



Electric motor version

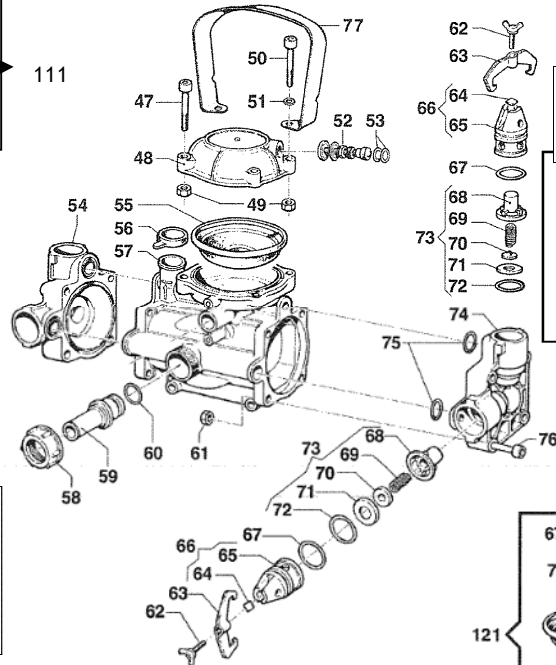
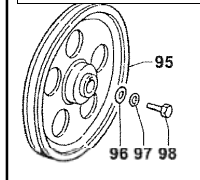


17mm solid keyed shaft version



Flange with 3/4" hollow keyed shaft for gas engine

Optional 10" 1A groove pulley kit.



Pressure regulators:

See 1204.0674.00 on page 50.

PRICES SUBJECT TO CHANGE WITHOUT NOTICE.

#	PART #	DESCRIPTION	NOTE	QTY
1	0437.0017.00	ROLLER BEARING	15x21x12	1
2	0601.0235.00	SPACER		1
3	0010.0012.00	CONNECTING ROD RING	47x39x5	2
4	2813.0073.00	CONNECTING ROD WASHER	46x32,5x3	1
5	0001.0291.00	ECCENTRIC SHAFT		1
6	0409.0019.00	EXTERNAL GEAR	ZE 54	1
7	1210.0053.00	O-RING	1,78x72,75	1
8	0438.0065.00	BALL BEARING	15x32x9	1
9	3002.0491.00	SUPPORT		1
10	0019.0086.00	OIL SEAL	20x30x7	1
11	3609.0173.00	SCREW	M5x25	4
12	0205.0059.00	CONNECTING ROD ASS.Y		1
13	2409.0023.00	PISTON	45	2
14	3011.0006.00	CONNECTING ROD PIN	12x36,5	2
15	3020.0020.00	RETAINING CLIP	12	4
16	0400.0069.00	PISTON SLEEVE	45	2
17	1800.0020.00	DIAPHRAGM	BUNA	2
	1800.0102.00	DIAPHRAGM	DESMOPAN	2
	1800.0028.00	DIAPHRAGM	VITON	2
18	0602.0033.00	DISC		2
19	3605.0027.00	DIAPHRAGM HOLDER SCREW	M8	2
45	3609.0017.00	SCREW	M6x40	2
46	2811.0030.00	WASHER	6,4x12,5x1,6	2
47	3609.0165.00	SCREW	M8x35	2
48	0003.0011.00	PRESSURE ACCUMULATOR		1
49	0604.0063.00	NUT	M8x6,5	4
50	3609.0162.00	SCREW	M8x40	2
51	2811.0016.00	WASHER	8,4x17x1,6	2
52	3610.0003.00	AIR VALVE		1
53	1209.0033.00	GASKET	14x7,5x2	2
54	3218.0015.00	PUMP MANIFOLD		1
55	1800.0033.00	DIAPHRAGM		1
56	1800.0079.00	DIAPHRAGM		1
57	0403.0134.00	PUMP CRANKCASE		1
58	1200.0008.00	WING NUT	30MB	1
59	2800.0016.00	SUCTION HOSE TAIL	13,5x18	1
60	1210.0046.00	O-RING	2,62x17,13	1
61	0604.0063.00	NUT	M8x6,5	8
62	3605.0032.00	WING NUT SCREW		4
63	0418.0018.00	U-BOLT		4
64	2403.0075.00	PLATE		4
65	3202.0027.00	PLUG		4
66	3202.0214.00			1
67	1210.0052.00	O-RING (SILICONE)	3,53x21,82	4
68	1205.0007.00	SUCT./DELIV. VALVE CAGE		4
69	1802.0015.00	SPRING (WIRE 0,8)	e11x17	4

#	PART #	DESCRIPTION	NOTE	QTY
70	3604.0007.00	SUCTION/DELIVERY VALVE		4
71	3009.0023.00	SUCT./DELIV. VALVE SEAT		4
72	1210.0029.00	O-RING	2,62x25,07	4
73	1212.0004.00	SUCTION VALVE ASSY KIT		4
74	3218.0016.00	PUMP MANIFOLD		1
75	1210.0046.00	O-RING	2,62x17,13	4
76	3609.0162.00	SCREW	M8x40	8

#	PART #	DESCRIPTION	NOTE	QTY
84	0001.0292.00	ECCENTRIC SHAFT		1
85	1602.0015.00	KEY	5x5x18	1
86	0405.0058.00	SUPPORT COVER		1
87	0438.0053.00	BALL BEARING	17x35x8	1
88	3019.0012.00	OUTER SEEGER	17	2
89	0019.0043.00	OIL SEAL	17x35x7	1
90	3020.0028.00	RETAINING CLIP	35	2
91	2400.0044.00	PUMP MOUNTING BRACKET		2
92	3607.0018.00	HEXAGONAL SCREW	M8x40	2
93	0604.0039.00	NUT	M8x9,5	2

#	PART #	DESCRIPTION	NOTE	QTY
99	5001.0069.00	1GolaA-250 PULLEY	1A-p250	1

#	PART #	DESCRIPTION	NOTE	QTY
103	3016.0035.00	FLANGE		1
104	0438.0062.00	BALL BEARING	20X37X9	1
105	3020.0019.00	RETAINING CLIP		1
106	0031.0006.00	MOTOR 3/4" THROUGHSHAFT	3/4" MOTOR	1
107	1602.0016.00	KEY	5x4,7x40	1
108	0604.0046.00	NUT	M5x6,8	3
109	2811.0037.00	WASHER	5,3x10x1	3
111	5011.0162.00	Flange for 3/4" engine shaft		1

#	PART #	DESCRIPTION	NOTE	QTY
121	5026.0347.00	COMPLETE REBUILD KIT		1